

124-538P190 22" Self-Propelled Mower (Gas) (1994)
Complete Assembly

Page 2 of 6

Ref #	Part Number	Qty	S/P/F	Description
1	647-0004	1		Control Handle Ass'y.
2	720-0225	1	S	Foam Grip
3	749-0539B	1	S	Upper Handle
4	710-0605	1	/P	Oval C-Sunk Scr.
5	646-0875	1	S	Throttle Body Code: N notates a new part (not previously existing).
6	746-0554	1	S	Control Cable - 40.5" Lg.
7	736-0501	1	S	Spring Wash..66" I.D.
8	712-0324	1	/P	Hex L-Nut 1/4-20 Thd.
9	731-0620	1	S	Control Lever
10	731-0904	1	S	Control Cover Half - Upper
11	731-0905	1	S	Control Cover Half - Lower
?12	746-0710A	1	S	Self-Propelled Cable - 48" Lg.
13	731-0906	1	S	Cable Mounting Cap
14	710-0841	1	/P	Fl-"C" Sunk Hd. Tap Scr. #10 x .75" Lg.
15	710-1174	1	/P	Curved Hd. Bolt 5/16-18 x 2" Lg.
16	712-0267	1	S/F	Hex Nut 5/16-18 Thd.
17	720-0279	1	/P	Handle Knob 1/4-20 Thd.
18	710-1205	1	/P	Rope Guide
?19	726-0240	1	S	Cable Tie
20	749-0734B	1	S	Lower Handle
21	14967	1		Wheel Cover
22		1		Engine
23	710-0812	1		Hex Bolt 1/4-20 x .75" Lg. (Gr. 5)
24	736-0270	1	/P	Bell-Wash. 1/4" I.D.
25	748-0312	1		Wheel Ratchet
26	748-0315	1		Pawl and Spring Ass'y.
27	712-0329	1	S	Special Hex Nut 5/16-18 Thd.
28	741-0485	1	S	Flange Bearing .63" I.D.
29	734-1399	1		Rim Ass'y. Only 16" x 2.1"
30	734-1400	1		Rimstrip 16" x 7/8"
31	734-1397	1	/P	Inner Tube 16" x 2.12"
32	734-1396	1	/P	Chevron Tire 16" x 2.125"
33	736-0104	1	S	Intern. L-Wash. 5/16" I.D.
34	710-0376	1	/P	Hex Bolt 5/16-18 x 1.0" (Gr. 5)
35	735-0639	1	/P	Spark Plug Boot Optional
36	753-0484	1		Blade Adapter Kit
37	742-0622	1	S	22" Blade
38	736-0452	1	S	Bell-Wash..39" I.D.
39	710-1044	1	/P	Hex Bolt 3/8-24 x 1.5" Lg.
40	710-1055	1	/P	Hex Bolt 3/8-24 x 1" Lg.
41	736-0169	1	S/F	L-Wash. 3/8" I.D.
42	712-0241	1	/P/F	Hex Nut 3/8-24 Thd.
46	741-0484	1	S	Ball Bearing 1/2" I.D.
47	736-0105	1	/P	Bell-Wash..38" I.D.
48	738-0507B	1	S	Shld. Bolt .5"
49	14832	1	S	Spring Lever Ass'y. w/Knob
50	15262B	1	/P	Pivot Bar
51	15261A	1	S	Height Adj. Plate
52	734-1268	1	/P	Wheel Ass'y. Comp.
53	14578	1	/P	Height Adj. Ass'y. Comp. - R.H.
	14579	1		Height Adj. Ass'y. Comp. - L.H. Not shown

124-538P190 22" Self-Propelled Mower (Gas) (1994)
Complete Assembly

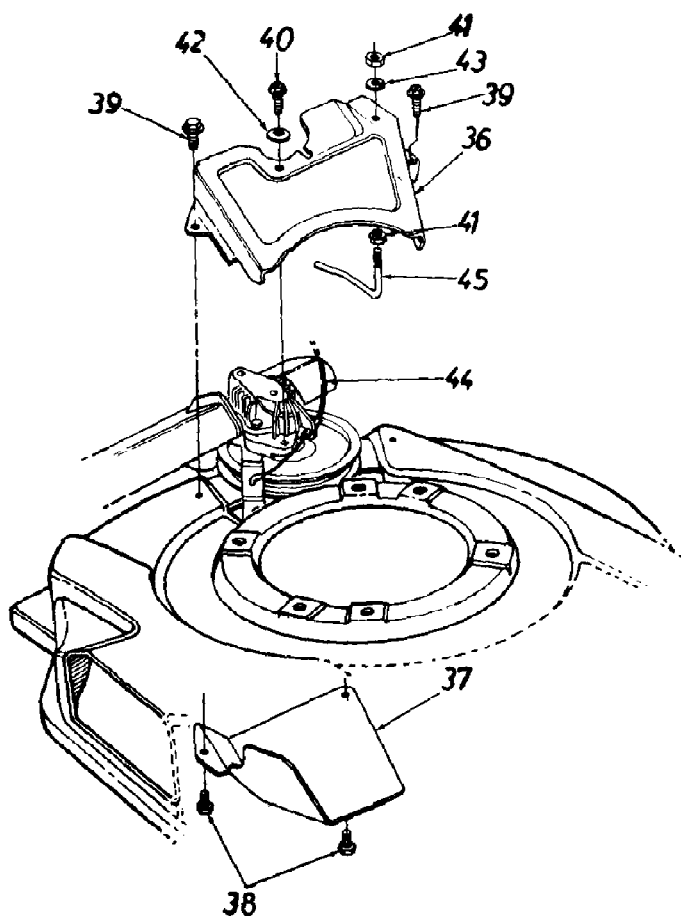
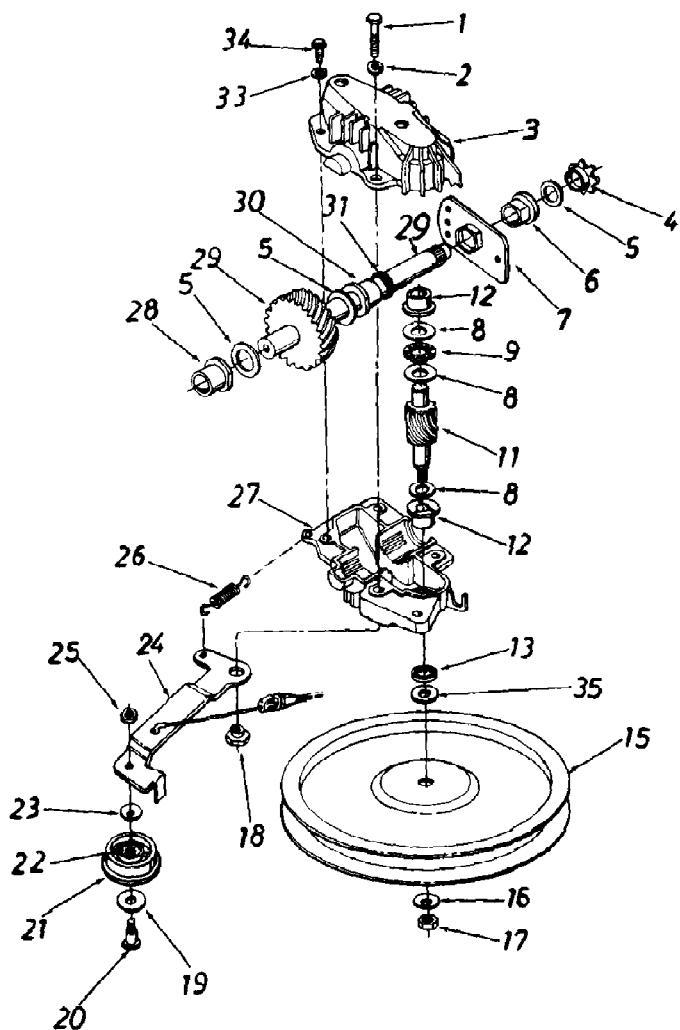
Page 3 of 6

Ref #	Part Number	Qty	S/P/F	Description
54	736-0356	1	S	Bell-Wash..39" I.D. x 1.38"
55	712-0798	1	/P/F	Hex Nut 3/8-16 Thd.
56	682-0001A	1		22" Deck Ass'y.
57	731-1034	1	S	Chute Deflector Ass'y.
58	747-0710	1	S	Hinge Pin
59	732-0593	1	S	Torsion Spring
60	17032	1	S	Adapter Plate
61	710-0599	1	/P	Hex TT-Tap Scr. 1/4-20 x .5"
62	736-0504	1	S	Wave Wash..51" I.D. x .78"
64	710-0654A	1	/P	Hex TT-Tap Scr. 3/8-16 x 1"
65	710-0260	1	S	Carriage Bolt 5/16-18 x .62" Lg.
66	16136C	1	S	Handle Brkt. Ass'y. - R.H.
67	750-0624	1		Shld. Spacer .5" x .10"
68	736-0242	1	/P	Bell-Wash. 5/16" I.D.
69	714-0104	1	S	Intern. Cotter Pin 5/16" Dia.
70	16563A	1		Retaining Strip
71	731-1172	1		Rear Flap
72	811-00185	1	S	Throttle Box Comp. Incl. Ref. 4,5,7,8,98
73	738-0102	1	S	Front Axle Bolt
74	720-0223	1		Grip
75	732-0655	1		Height Adjustment Lever
76	682-3004	1		Handle Brkt. Ass'y. - L.H.
77	754-0369	1	S	"V" Belt
78	717-0417B	1	S/F	Transmission Comp.
79	710-0352	1	/P	Hex B-Tap Scr. 1/4 x .38" Lg.
80	710-0776A	1	S	Hex AB-Tap Scr. 1/4 x .62" Lg.
81	736-0329	1	S/F	L-Wash. 1/4" I.D.
82	712-0287	1	S/F	Hex Nut 1/4-20 Thd.
83	734-1398	1		Wheel Ass'y. Comp.
84	713-0425	1		Sprocket and Axle Ass'y.
85	736-0256	1	S	FI-Wash..635" I.D. x 1.0" O.D.
86	682-7501	1		Chaincase and Arm Ass'y.
87	713-0257	1	S	#48 Chain 1/2" Pitch x 52 Links
88	682-7500	1		Rear Drive Support Ass'y.
89	710-0599	1	/P	Hex Wash. Hd. TT-Tap Scr. 1/4-20 x .5" Lg.
90	746-0674	1	S	Throttle Cable - 61" Lg.
91	16500A	1	S	Hex Bearing Cup
92	741-0413	1	S	Hex Flange Brg..631" I.D.
93	748-0313	1		Spacer .63" I.D. x 1.25"
94	736-0300	1	S	FI-Wash..385" I.D. x .87" O.D.
95	712-0296	1	S	Hex L-Nut 3/8-24 Thd.
96	710-0201	1		Hex Bolt 3/8-16 x .62" Lg.
97	712-0431	1	S	Flanged L-Nut 3/8-16 Thd.
98	746-0876	1	S	Throttle Lever
?99	710-0603	1	/P	Hex B-Tap Scr. 5/16-18 x .5"
100	710-0289	1	S	Hex Bolt 1/4-20 x .5" Lg.
101	736-0302	1	/P	FI-Wash..632" I.D. x .943"
102	750-0547	1		Spacer .628" I.D. x .875"
104	736-0258	1	/P	FI-Wash..38" I.D. x 1" O.D.
105	710-1237	1		Wash. Hd. Scr. #10-32 x .62" Lg.
106	751B213146	1	/P	Casing Clamp Code: N notates a new part (not previously existing).

124-538P190 22" Self-Propelled Mower (Gas) (1994)
Complete Assembly

Page 4 of 6

Ref #	Part Number	Qty	S/P/F	Description
108	784-9014	1		Deck Bracket
113	731-0924	1		6-Spd. Shift Lever
114	732-0627	1		Shift Lever Spring
115	713-0397	1	S	3-Tooth Rack Gear Insert
116	16864	1		6-Speed Rack Cable Brkt.
117	746-0710A	1	S	S.P. Cable
118	746-0706	1		Spd. Control Cable - 50" Lg.
119	714-0507	1	S	Cotter Pin 3/32" Dia.
120	736-0278	1		FI-Wash..33" I.D. x .687" O.D.
121	731-1137	1	S	Flanged Bushing
122	682-7515	1		Drive Housing Ass'y.
123	736-0526	1	S	Wave Wash..88" I.D. x 1.38"
124	750-0968	1	S	Spacer .885" I.D. x 1" O.D.
125	656-0611	1	S	Pulley Ass'y. Code: N notates a new part (not previously existing).
126	747-0684	1		Shift Rod
127	710-0167	1	/P	Carr. Bolt 1/4-20 x .5" Lg.
128	17070	1	S	6-Speed Adj. Cable Brkt.
129	736-0270	1	/P	Bell-Wash..265" I.D.
130	712-0291	1	S	Hex L-Nut 1/4-20 Thd.
131	749-0939	1	S	Handle Strut
132	736-0119	1	S/F	L-Wash. 5/16" I.D.
133	736-0226	1	S	FI-Wash. 7/16" I.D. x 7/8" O.D.
134	710-0260	1	S	Carriage Bolt 5/16-18 x .62" Lg.
135	736-0451	1	S	Saddle Wash..32" I.D. x .93"



Ref #	Part Number	Qty	S/P/F	Description
1	710-1062	1		Hex Patch Bolt 1/4-20 x 1.25" Lg.
2	726-0329	1	F	L-Wash. 1/4" I.D.
3	717-0418A	1	/P	Upper Hsg. Half
4	713-0400	1		#48 Sprocket 7 Tooth x 1/2 Pitch
5	736-0336	1	S	FI-Wash. 5/8" I.D. x .030
6	741-0413	1	S	Hex Flange Brg. .631" I.D.
7	16500A	1	S	Hex Bearing Cup
8	736-0314	1	S	Thrust Wash. .382" I.D. x .70" O.D.
9	741-0479	1		Thrust Bearing .375" I.D. x .812" O.D.
11	717-1216	1	S	11 Tooth Helical Gear
12	748-0208A	1	/P	Flange Bearing
13	721-0212	1		Oil Seal
15	756-0330A	1	/P/F	FI-Pulley 5.06" I.D.
16	736-0270	1	/P/F	Bell-Wash. .265" I.D. x .75"
17	712-0351	1	S/F	Hex Nut 1/4-28 L.H. Thd.
18	738-0440	1	F	Shld. Spacer .375" Dia. x .170
19	736-0344	1	S/F	FI-Wash. .390" I.D. x 1.0"
20	738-0826	1	S/F	Shld. Bolt .375" Dia. x .40"
21	656-0008	1	S/F	FI-Idler Plastic 1.50" Dia. Code: N notates a new part (not previously existing). Includes Ref. #22
22	741-0556	1	S/F	Needle Brg. .375" x .375"
23	736-0270	1	/P/F	Bell-Wash. .265" I.D. x .75"
24	17052A	1	/P/F	Idler Brk't. Ass'y.
25	712-0138	1	S/F	Hex Patch L-Nut 1/4-28 Thd.
26	732-0357A	1	S/F	Extension Spring 1.12" Lg.
27	717-0419A	1	S	Lower Hsg. Half
28	741-0415	1	S	Flange Bearing .56 Dia.
29	717-0616A	1	/P	Sprocket Shaft Ass'y. Code: N notates a new part (not previously existing).
30	741-0414	1		Flange Bearing .629 Dia.
31	721-0213	1	/P	Oil Seal .625 Dia.
33	736-0722	1	S	L-Wash. #10 I.D.
34	710-0436	1	S	Hex B-Tap Scr. #10 x .62"
35	736-0410	1	S/F	Hex Washer .26" x .88"
36	17718	1	F	Transmission Belt Guard
37	17064	1	F	Belt Cover
38	710-0352	1	/P/F	Hex B-Tap Scr. 1/4 x .38" Lg.
39	710-0599	1	/P/F	Hex AB-Tap Scr. 1/4 x .50" Lg.
40	710-0896	1	/P/F	Hex B-Tap Scr. 1/4 x .62" Lg.
41	712-0287	1	S/F	Hex Nut 1/4-20 Thd.
42	736-0270	1	/P/F	Bell-Wash. .265" I.D. x .75"
43	736-0329	1	S/F	L-Wash. 1/4" I.D.
44	746-0710A	1	S/F	S.P. Cable - 48" Lg.
45	747-0549	1	F	S.P. Belt Guard
	717-0417B	1	S	Transmission Comp.